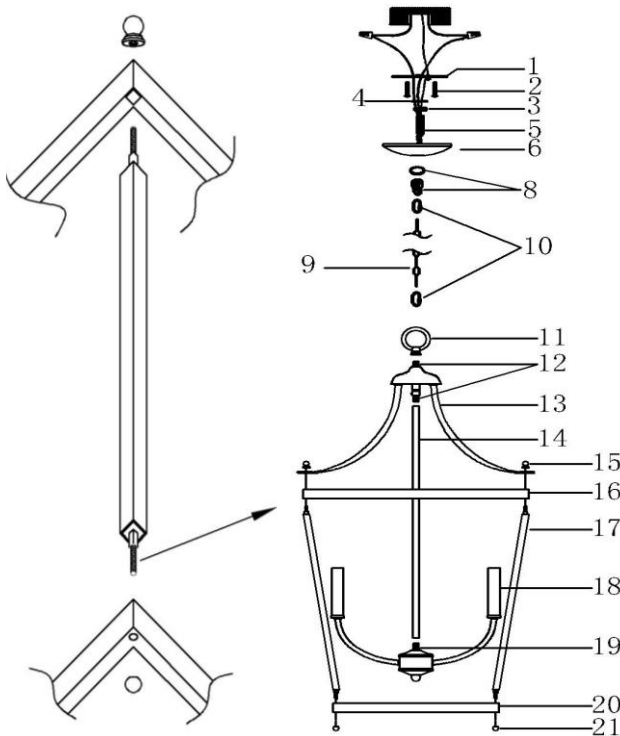




ASSEMBLY AND INSTALLATION INSTRUCTIONS for the **9552 & 9553** Fixture

Important Safety information (Please read before proceeding)

1. Remove the fixture, parts and all mounting hardware bags (orange) from the carton and verify that all parts are present according to the illustration sheet. All parts must be used as indicated. Do not replace any parts, leave any parts out, or use any parts which are worn out or broken. **Failure to follow the instructions could cause a hazardous situation, voids the warranty and violates the U.L. listing of the fixture.**
2. To prevent the electric shock, turn off the main power at the circuit breaker before installing the fixture. **NEVER attempt to install, clean or replace bulbs without shutting off the electricity to the fixture.**
3. **Never use light bulbs with wattage ratings that exceed the fixtures maximum rating.** Always make sure the electric current is turned off before changing the bulbs.
4. If you experience difficulties installing the lighting fixture or it fails to work as expected, please contact a local qualified licensed electrical contractor.
5. Please contact your local Capital Lighting Fixture reseller with any assembly or installation questions. Your local reseller can also provide you with replacement parts for your new fixture.



Components

1. Mounting Bar
2. Outlet Box Mounting Screw
3. Hex Nut
4. Washer
5. Nipple
6. Canopy
8. Threaded Ring & Screw Collar Loop (1/8-27IP)
9. Chain
10. Chain Link
11. Loop
12. Nipple of Fixture Top
13. Arm of Top Bracket
14. Center Pipe
15. Cap Nut
16. Top Trim
17. Side Tube
18. Candle Cover
19. Cluster
20. Bottom Trim
21. Ball Nut

Assembly Instructions for the 9552 & 9553 fixture

1. Assemble Side Tube (17) to Bottom Trim square ring (20) with Ball Nut (21), then repeat the same action for other 3 pieces. Do not tighten the nuts completely until the fixture is completely assembled. *Note: The end of the leg with the small ball nuts are used in this step*
2. With the four Side Tubes (17) pointing upwards, lower the Top Trim square ring (16) onto all four side tubes (17). Verify that the square end of the side tube (17) is fully inserted into the square socket on the top trim ring.
 3. Pass Lead wire thru Center Pipe (14), Top Bracket and Loop (11), then screw Center Pipe (14) onto Nipple of Cluster (19), Nipple of Fixture Top (12) onto Center Pipe (14), Loop (11) onto end of Nipple of Fixture Top (12) together.
4. Rotate the Arm of Top Bracket (13) so they are equally spaced around Center Pipe (14), then assemble Arm of Top Bracket (13) onto the Top Trim Square ring (16) and onto bolt extending from the end of Side Tube (17). Install Cap Nut (15) onto the side tube, then repeat the same action for other 3 sides. Do not tighten the nuts completely until all 4 Top Bracket Arms (13) are in place.
 5. Completely tighten all four Cap Nut (15) by hand, completely tighten all 4 Ball Nuts (21) by hand on each end of the Side Tubes (17).
6. Take Nipple (5) from parts bag and screw in Screw Collar Loop (8), and run Hex Nut (3) and Washer (4) down Nipple (5), then screw Nipple (5) into Mounting Bar (1). Mounting Bar (1) must be positioned with extruded thread faced into Outlet Box. Nipple (5) must protrude out the back of Mounting Bar (1).
7. Attach Mounting Bar (1) to Outlet Box with Outlet Box Mounting Screws (2).
8. Unscrew the Threaded Ring from Screw Collar Loop (8). Take Canopy (6) and pass over Screw Collar Loop (8). Approximately one half of the Screw Collar Loop exterior threads should be exposed. Adjust Screw Collar Loop (8) by turning assembly up or down in Mounting Bar (1). Remove Canopy (6).
9. After desired position is found, tighten Nipple (5) onto Screw Collar Loop (8) and tighten Hex Nut (3) with Washer (4) against the Mounting Strap (1).
10. Slip Canopy (6) over Screw Collar Loop (8) and thread on Threaded Ring. Attach Chain (9) and Chain Link (10) with fixture connected to bottom of Screw Collar Loop (8). Unscrew Threaded Ring, let Canopy (6) and Threaded Ring slip down.
11. Pass lead wire and ground wire through chain links no more than 3 inches apart, then pass wires through Threaded Ring, Canopy (6), Screw Collar Loop (8), Nipple (5) and into Outlet Box.
12. Connect fixture ground wire to the outlet box ground wire with wire connector supplied; connect the common wire of the lamp cord to the power supply white wire with wire connector supplied; connect supply wire of the lamp cord to the power supply black wire with wire connector supplied. *Note: This fixture is wired using 2 conductor Lamp cord. The insulation between the two conductors on the lamp cord can be split down the center for better access to the two conductors. The common wire on the lamp cord is identified as the conductor with ribs embossed in the rubber wire insulation.*
13. Raise Canopy (6) to ceiling, verify all wires are securely inside Canopy (6), then secure Canopy (6) in place by tightening Threaded Ring onto Screw Collar Loop (8).
14. Hang complete fixture to ceiling by Chain (9) and Chain Link (10) provided.