

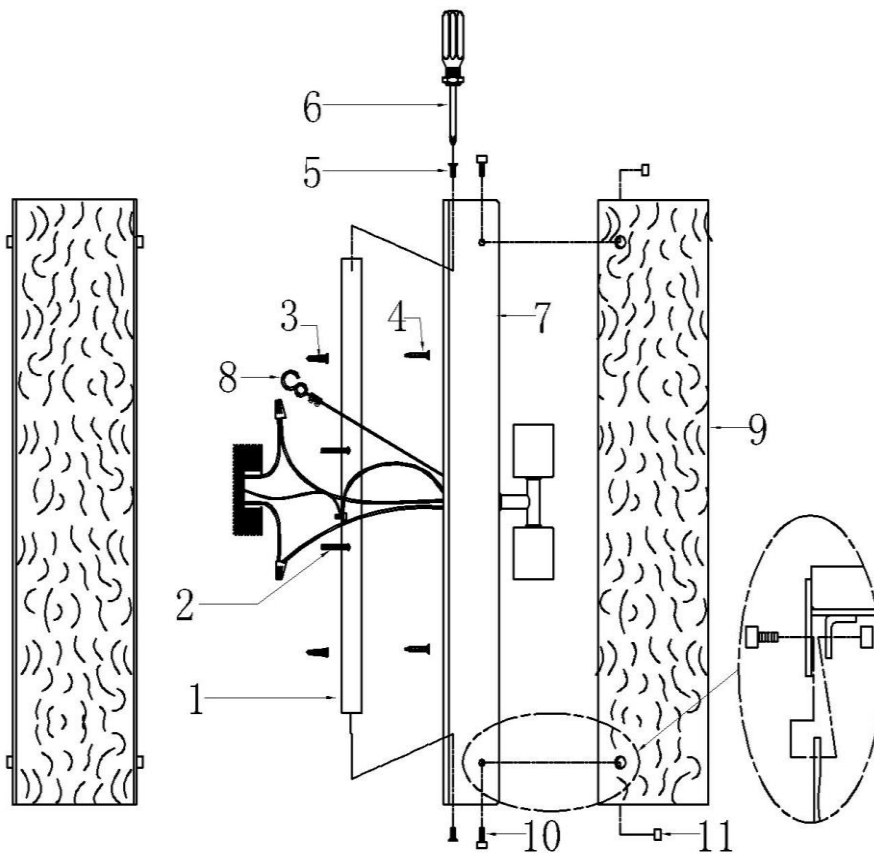


LIGHTING FIXTURE COMPANY

ASSEMBLY AND INSTALLATION INSTRUCTIONS for the **627521** Fixture

Important Safety information (Please read before proceeding)

1. Remove the fixture, parts and all mounting hardware bags (orange) from the carton and verify that all parts are present according to the illustration sheet. All parts must be used as indicated. Do not replace any parts, leave any parts out, or use any parts which are worn out or broken. **Failure to follow the instructions could cause a hazardous situation, voids the warranty and violates the U.L. listing of the fixture.**
2. To prevent the electric shock, turn off the main power at the circuit breaker before installing the fixture. **NEVER attempt to install, clean or replace bulbs without shutting off the electricity to the fixture.**
3. **Never use light bulbs with wattage ratings that exceed the fixtures maximum rating.** Always make sure the electric current is turned off before changing the bulbs.
4. If you experience difficulties installing the lighting fixture or it fails to work as expected, please contact a local qualified licensed electrical contractor.
5. Please contact your local Capital Lighting Fixture reseller with any assembly or installation questions. Your local reseller can also provide you with replacement parts for your new fixture.



Components

1. Mounting Plate w/Green Screw
2. Outlet Box Mounting Screws
3. Plastic Anchors
4. Wood Screws
5. Mounting Screws
6. Philips Screw Driver (not provided)
7. Fixture
8. Safety Cable w/Hook
9. Glass Shade
10. Cylinder Nut w/Threaded Bolt
11. Cylinder Nut

Assembly Instructions for the 627521 fixture

1. Assemble Mounting Plate (1) to mounting surface using hardware suitable for material of mounting surface. Mark position of holes on mounting surface before using provided Plastic Anchors (3), drill appropriate holes and assemble as illustrated.
2. Attach Mounting Plate (1) to Outlet Box with Outlet Box Mounting Screws (2), and to mounting surface with Wood Screws (4) tightly.
3. Raise Canopy of Fixture (7) toward outlet box, then hang it on Mounting Plate (1) with Safety Cable w/Hook (8) as the illustration shown. *Note: This will allow for fixture to be supported while wire connections are made .*
4. Raise Fixture (7) toward outlet box, then connect fixture ground wire to outlet box ground wire with wire connector supplied; connect white fixture wire to the white power supply wire with wire connector supplied; connect black fixture wire to the black power supply wire with wire connector supplied.
5. Push Fixture (7) to wall, make sure mounting holes in Canopy of Fixture (7) and Mounting Plate (1) are in line, verify all wires are securely inside Backplate of Fixture (7), and then secure Fixture (7) to wall with Mounting Screws (5) and Philips Screw Driver (not provided) (6).
6. Insert recommended bulb per wattage label indicated onto Socket.
7. Insert edge of Glass Shade (9) onto channel of Fixture (7), make sure both assembling holes of Glass Shade (9) and Fixture (7) are in line by starting all four sets of Cylinder Nut w/Threaded Bolts (10) and Cylinder Nuts (11) before securing them completely together.