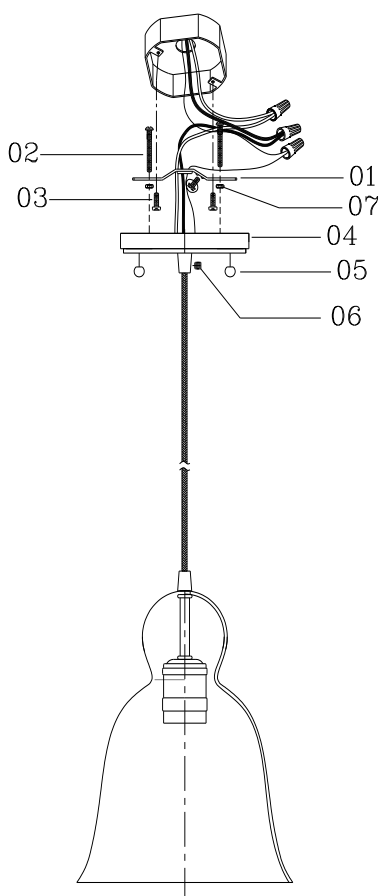




ASSEMBLY AND INSTALLATION INSTRUCTIONS for the **4642** Fixture

Important Safety information (Please read before proceeding)

1. Remove the fixture, parts and all mounting hardware bags (orange) from the carton and verify that all parts are present according to the illustration sheet. All parts must be used as indicated. Do not replace any parts, leave any parts out, or use any parts which are worn out or broken. **Failure to follow the instructions could cause a hazardous situation, voids the warranty and violates the U.L. listing of the fixture.**
2. To prevent the electric shock, turn off the main power at the circuit breaker before installing the fixture. **NEVER attempt to install, clean or replace bulbs without shutting off the electricity to the fixture.**
3. **Never use light bulbs with wattage ratings that exceed the fixtures maximum rating.** Always make sure the electric current is turned off before changing the bulbs.
4. If you experience difficulties installing the lighting fixture or it fails to work as expected, please contact a local qualified licensed electrical contractor.
5. Please contact your local Capital Lighting Fixture reseller with any assembly or installation questions. Your local reseller can also provide you with replacement parts for your new fixture.



Components

- 01. Mounting Bar
- 02. Mounting Screw
- 03. Outlet Box Mounting Screws
- 04. Canopy
- 05. Ball Knob
- 06. Plastic Retainer Nut
- 07. Hex Nut (8/32)

Assembly Instructions for the 4642 fixture

1. Braided wire cord is set at longest position. If necessary, you can turn Plastic Retainer Nut (06) of Strain Relief in a counterclockwise direction and set the length you desire, then turn Plastic Retainer Nut (06) of Strain Relief in a clockwise direction tightly (The Retainer Nut is Plastic to prevent electrical shock, Do not over tighten).
2. Find appropriate threaded holes on Mounting Bar (01), and assemble Mounting Screws (02) into threaded holes with Hex Nuts (07).
3. Attach Mounting Bar (01) to Outlet Box with Outlet Box Mounting Screws (03).
4. Connect the bare canopy grounding wire and the yellow/green lamp holder ground wire to the outlet box grounding wire with the wire connector supplied; connect white fixture wire to power supply white wire with wire connector supplied; connect black fixture wire to power supply black wire with wire connector supplied.
5. Push Canopy (04) to ceiling, carefully passing Mounting Screws (02) through holes in Canopy (04), then verify all wires are securely inside Canopy (04). Finally, secure Canopy (04) to ceiling with Ball Knobs (05).