

HOMEPPLACE

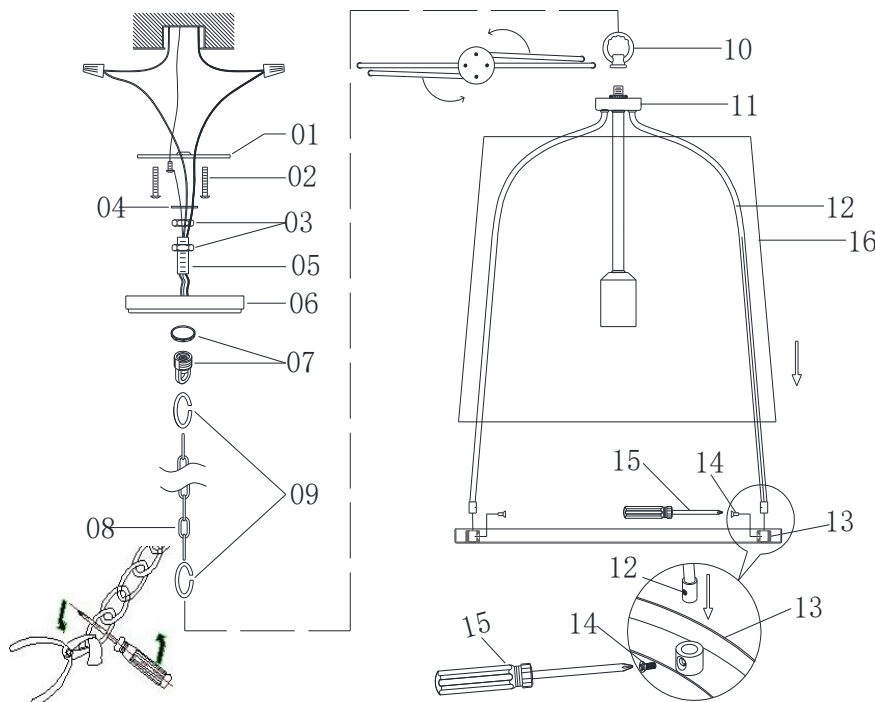
by Capital Lighting Fixture Co.

LIGHTING

ASSEMBLY AND INSTALLATION INSTRUCTIONS for the **347011** Fixture

Important Safety information (Please read before proceeding)

1. Remove the fixture, parts and all mounting hardware bags (orange) from the carton and verify that all parts are present according to the illustration sheet. All parts must be used as indicated. Do not replace any parts, leave any parts out, or use any parts which are worn out or broken. **Failure to follow the instructions could cause a hazardous situation, voids the warranty and violates the U.L. listing of the fixture.**
2. To prevent the electric shock, turn off the main power at the circuit breaker before installing the fixture. **NEVER attempt to install, clean or replace bulbs without shutting off the electricity to the fixture.**
3. **Never use light bulbs with wattage ratings that exceed the fixtures maximum rating.** Always make sure the electric current is turned off before changing the bulbs.
4. If you experience difficulties installing the lighting fixture or it fails to work as expected, please contact a local qualified licensed electrical contractor.
5. Please contact your local Capital Lighting Fixture reseller with any assembly or installation questions. Your local reseller can also provide you with replacement parts for your new fixture.



Components

01. Mounting Bar w/Green Screw
02. Outlet Box Mounting Screws
03. Hex Nuts
04. Washer
05. Nipple
06. Canopy
07. Threaded Ring & Screw Collar Loop (1/8-27IP)
08. Chain
09. Chain Links
10. Loop
11. Fixture
12. Arm
13. Decor Trim
14. Philips Screw
15. Philips Screw Driver (not provided)
16. Glass Shade

Assembly Instructions for the 347011 fixture

1. Pass Lead wire from Top of Fixture (11) thru Loop (10), then screw Loop (10) onto nipple end of Fixture Top (11) tightly.
2. Rotate Fixture Arms (12) so they are equally spaced around the fixture. *Note: If the fixture does not hang straight it is normally due to the arms spacing not being equal.*
3. Insert each Arm (12) into assembling holes of Decor Trim (13), make sure both assembling holes of Arms (12) and Decor trim (13) are in line, then secure them together with Philips Screws (14) by using Philips Screw Driver (not provided) (15).
4. Lower Glass Shade (16) over top of Fixture (11) onto Decor Trim (13) medially.
5. Take Nipple (5) from parts bag and screw in Screw Collar Loop (7), and run one Hex Nut (3) with Washer (4) down Nipple (5), then screw Nipple (5) into Mounting Bar (1). Mounting Bar (1) must be positioned with extruded thread faced into Outlet Box. Nipple (5) must protrude out the back of Mounting Bar (1).
6. Attach Mounting Bar (1) to Outlet Box with Outlet Box Mounting Screws (2).
7. Unscrew the Threaded Ring from Screw Collar Loop (7). Take Canopy (6) and pass over Screw Collar Loop (7). Approximately one half of the Screw Collar Loop exterior threads should be exposed. Adjust Screw Collar Loop (7) by turning assembly up or down in Mounting Bar (1). Remove Canopy (6).
8. After desired position is found, tighten Nipple (5) with one Hex Nut (3) onto Screw Collar Loop (7) and tighten another Hex Nut (3) with Washer (4) against the Mounting Bar (1).
9. Slip Canopy (6) over Screw Collar Loop (7) and thread on Threaded Ring. Attach Chain (8) and Chain End Link (9) with fixture connected to bottom of Screw Collar Loop (7). Unscrew Threaded Ring, let Canopy (6) and Threaded Ring slip down. *Note: Spread Chain End Link of chain, use a pair of PLIERS and a SCREW-DRIVER shown above as well as wrap a soft cloth around pliers to protect the finish, also adjust Chain to desired length.*
10. Pass lead wire and ground wire through chain links no more than 3 inches apart, then pass wires through Threaded Ring, Canopy (6), Screw Collar Loop (7), Nipple (5) and into Outlet Box.
11. Connect fixture ground wire to the outlet box ground wire with wire connector supplied; connect the common wire of the lamp cord to the power supply white wire with wire connector supplied; connect supply wire of the lamp cord to the power supply black wire with wire connector supplied. *Note: This fixture is wired using 2 conductor Lamp cord. The insulation between the two conductors on the lamp cord can be split down the center for better access to the two conductors. The common wire on the lamp cord is identified as the conductor with ribs embossed in the rubber wire insulation.*
12. Raise Canopy (6) to ceiling, verify all wires are securely inside Canopy (6), then secure Canopy (6) in place by tightening Threaded Ring onto Screw Collar Loop (7).