

# HOMEPPLACE

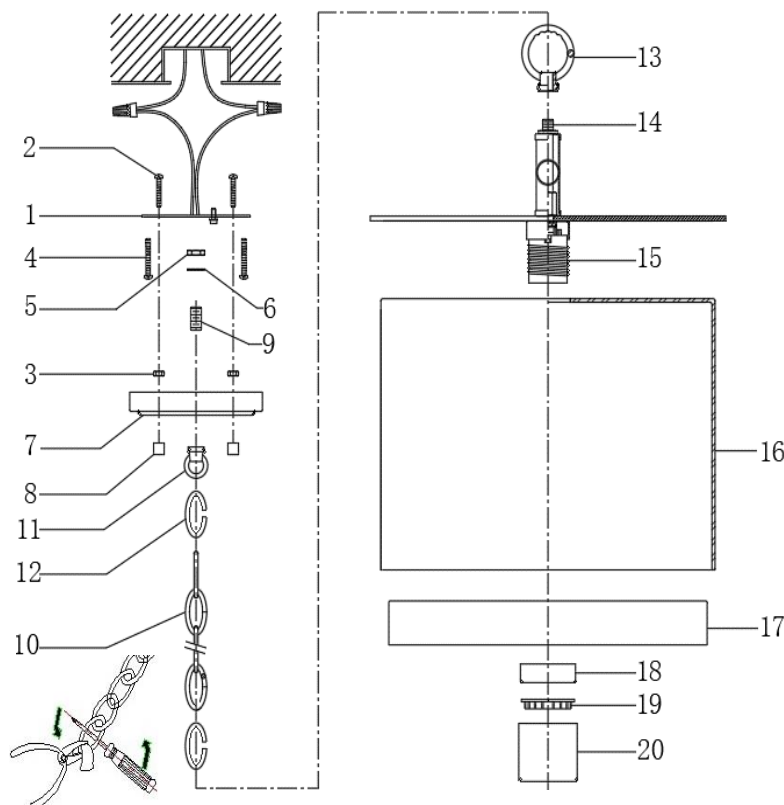
by Capital Lighting Fixture Co.

# LIGHTING

## ASSEMBLY AND INSTALLATION INSTRUCTIONS for the **246812** Fixture

### Important Safety information (Please read before proceeding)

1. Remove the fixture, parts and all mounting hardware bags (orange) from the carton and verify that all parts are present according to the illustration sheet. All parts must be used as indicated. Do not replace any parts, leave any parts out, or use any parts which are worn out or broken. **Failure to follow the instructions could cause a hazardous situation, voids the warranty and violates the U.L. listing of the fixture.**
2. To prevent the electric shock, turn off the main power at the circuit breaker before installing the fixture. **NEVER attempt to install, clean or replace bulbs without shutting off the electricity to the fixture.**
3. **Never use light bulbs with wattage ratings that exceed the fixtures maximum rating.** Always make sure the electric current is turned off before changing the bulbs.
4. If you experience difficulties installing the lighting fixture or it fails to work as expected, please contact a local qualified licensed electrical contractor.
5. Please contact your local Capital Lighting Fixture reseller with any assembly or installation questions. Your local reseller can also provide you with replacement parts for your new fixture.



### Components

01. Mounting Bar w/Green Screw
02. Mounting Screws
03. Hex Nuts (8/32)
04. Outlet Box Mounting Screws
05. Hex Nut (1/8IP)
06. Lock Washer
07. Canopy
08. Cylinder Nuts
09. Nipple (1/8IP)
10. Chain
11. Loop (1/8IP)
12. Chain End Link
13. Loop (1/81P)
14. Fixture
15. Socket
16. Glass Shade
17. Décor Trim
18. Décor Cover
19. Socket Ring
20. Nord Ring

### Assembly Instructions for Hanging the 246812 Fixture with a Chain:

1. Pass lead wire from top of Fixture (14) through Loop (13), then screw Loop (13) onto top of Fixture (14) tightly.
2. Pass Lead Wire from Loop (13) thru one Chain End Link (12), Chain (10), another Chain End Link (12), Loop (11), Nipple (09) and Canopy (7), then slip Lock Washer (6), thread Hex Nut (5) onto Nipple (9). Finally, tighten Hex Nut (5) to secure Loop (11) onto Canopy (7) together.  
*Note: Spread Chain End Link of chain, use a pair of PLIERS and a SCREW-DRIVER shown above as well as wrap a soft cloth around pliers to protect the finish, also adjust Chain to desired length.*
3. Find appropriate threaded holes on Mounting Bar (1), and assemble Mounting Screws (2) into threaded holes with Hex Nuts (3).
4. Attach Mounting Bar (1) to Outlet Box with Outlet Box Mounting Screws (4).
5. Raise whole Fixture (14) toward outlet box, then connect fixture ground wire to the outlet box ground wire with wire connector supplied; connect the common wire of the lamp cord to the power supply white wire with wire connector supplied; connect supply wire of the lamp cord to the power supply black wire with wire connector supplied. *Note: This fixture is wired using 2 conductor Lamp cord. The insulation between the two conductors on the lamp cord can be split down the center for better access to the two conductors. The common wire on the lamp cord is identified as the conductor with ribs embossed in the rubber wire insulation.*
6. Push fixture to ceiling, carefully passing Mounting Screws (2) through holes in Canopy (7), then verify all wires are securely inside Canopy (7). Finally, secure fixture to ceiling with Cylinder Nuts (8).
7. Raise Glass Shade (16), Décor Trim (17) and Décor Cover (18) over Socket (15), then secure Glass Shade (16) and Décor Trim (17) onto glass holder of Fixture (14) with Socket Ring (19) and Nord Ring (20)

# HOMEPLACE

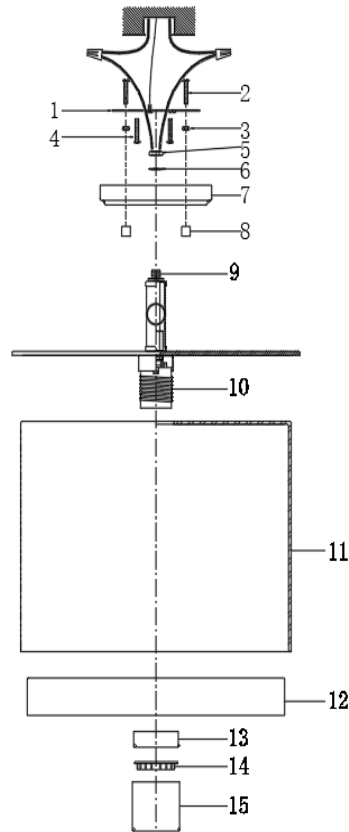
by Capital Lighting Fixture Co.

# LIGHTING

## ASSEMBLY AND INSTALLATION INSTRUCTIONS for the **246812** Fixture

### Important Safety information (Please read before proceeding)

1. Remove the fixture, parts and all mounting hardware bags (orange) from the carton and verify that all parts are present according to the illustration sheet. All parts must be used as indicated. Do not replace any parts, leave any parts out, or use any parts which are worn out or broken. **Failure to follow the instructions could cause a hazardous situation, voids the warranty and violates the U.L. listing of the fixture.**
2. To prevent the electric shock, turn off the main power at the circuit breaker before installing the fixture. **NEVER attempt to install, clean or replace bulbs without shutting off the electricity to the fixture.**
3. **Never use light bulbs with wattage ratings that exceed the fixtures maximum rating.** Always make sure the electric current is turned off before changing the bulbs.
4. If you experience difficulties installing the lighting fixture or it fails to work as expected, please contact a local qualified licensed electrical contractor.
5. Please contact your local Capital Lighting Fixture reseller with any assembly or installation questions. Your local reseller can also provide you with replacement parts for your new fixture.



### Components

- 01. Mounting Bar w/Green Screw
- 02. Mounting Screws
- 03. Hex Nuts (8/32)
- 04. Outlet Box Mounting Screws
- 05. Hex Nut (1/8IP)
- 06. Lock Washer
- 07. Canopy
- 08. Cylinder Nuts
- 09. Fixture
- 10. Socket
- 11. Glass Shade
- 12. Décor Trim
- 13. Décor Cover
- 14. Socket Ring
- 15. Nord Ring

### Assembly Instructions to Flush Mount the 246812 fixture:

1. Pass lead wire from top of Fixture (09), Canopy (07), then slip Lock Washer (06), thread Hex Nut (05) onto Nipple end of Fixture Top (09). Finally, screw all together tightly.
2. Find appropriate threaded holes on Mounting Bar (01), and assemble Mounting Screws (02) into threaded holes with Hex Nuts (03).
3. Attach Mounting Bar (01) to Outlet Box with Outlet Box Mounting Screws (04).
4. Raise whole Fixture (09) toward outlet box, then connect fixture ground wire to the outlet box ground wire with wire connector supplied; connect the common wire of the lamp cord to the power supply white wire with wire connector supplied; connect supply wire of the lamp cord to the power supply black wire with wire connector supplied. *Note: This fixture is wired using 2 conductor Lamp cord. The insulation between the two conductors on the lamp cord can be split down the center for better access to the two conductors. The common wire on the lamp cord is identified as the conductor with the printed marking and or the ribs embossed in the rubber wire insulation.*
5. Push fixture to ceiling, carefully passing Mounting Screws (02) through holes in Canopy (07), then verify all wires are securely inside Canopy (07). Finally, secure fixture to ceiling with Cylinder Nuts (08).
6. Raise Glass Shade (11), Décor Trim (12) and Décor Cover (13) over Socket (10), then secure Glass Shade (11) and Décor Trim (12) onto glass holder of Fixture (09) with Socket Ring (14) and Nord Ring (15)