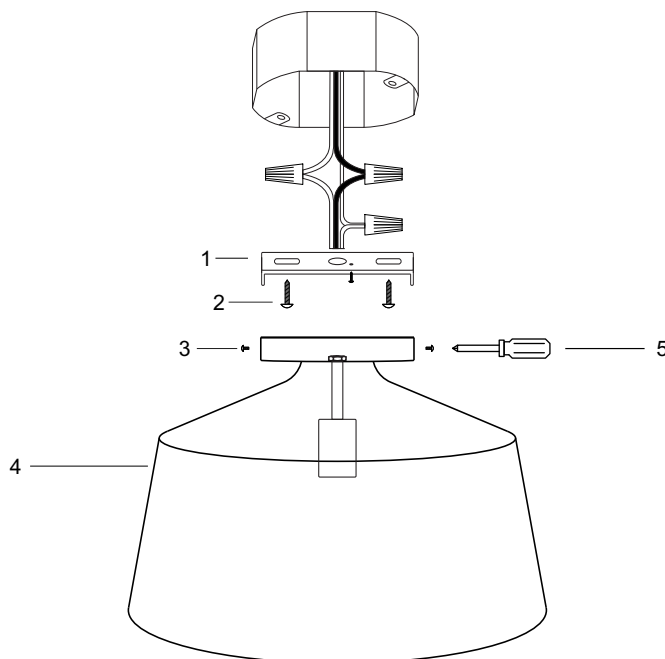


ASSEMBLY AND INSTALLATION INSTRUCTIONS FOR THE 235311 FIXTURE

Important Safety information (Please read before proceeding)

1. Remove the fixture, parts and all mounting hardware bags (orange) from the carton and verify that all parts are present according to the illustrationsheet. All parts must be used as indicated. Do not replace any parts, leave any parts out, or use any parts which are worn out or broken. **Failure to follow the instructions could cause a hazardous situation, voids the warranty and violates the U.L. listing of the fixture.**
2. To prevent the electric shock, turn off the main power at the circuit breaker before installing the fixture. **NEVER attempt to install, clean orreplace bulbs without shutting off the electricity to the fixture.**
3. **Never use light bulbs with wattage ratings that exceed the fixtures maximum rating.** Always make sure the electric current is turned offbefore changing the bulbs.
4. If you experience difficulties installing the lighting fixture or it fails to work as expected, please contact a local qualified licensed electricalcontractor.
5. Please contact your local Capital Lighting Fixture reseller with any assembly or installation questions. Your local reseller can also provide you withreplacement parts for your new fixture.



Components

1. Mounting Bar w/Green Screw
2. Outlet Box Mounting Screw
3. Mounting Bar Screw
4. Fixtures
5. Philips Screw Driver (Not provided)

Assembly Instructions for the 235311 fixture

1. Attach Mounting Bar (1) to Outlet Box with Outlet Box Mounting Screws (2).
2. Raise Fixture (4) toward outlet box, then connect fixture ground wire to outlet box ground wire with wire connector supplied; connect with fixture wire to the white power supply wire with wire connector supplied; connect black fixture wire to the black power supply wire connector supplied.
3. Push Fixture (4) to ceiling, carefully passing Mounting Screws (3) through slot holes, hold and secure fixture to ceiling by tightening Mounting Screws (3) and Philips Screw Driver (not provided) (5).