

HOMEPLACE

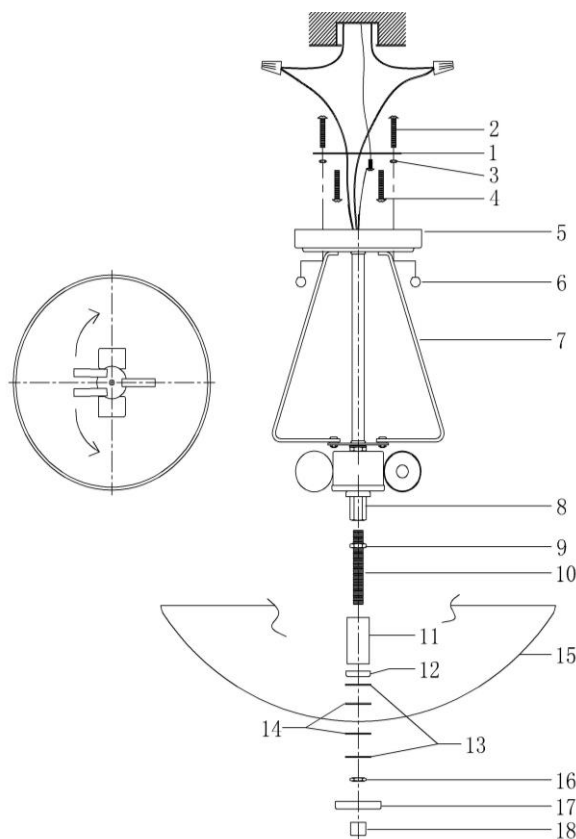
by Capital Lighting Fixture Co.

LIGHTING

ASSEMBLY AND INSTALLATION INSTRUCTIONS for the **218921** Fixture

Important Safety information (Please read before proceeding)

1. Remove the fixture, parts and all mounting hardware bags (orange) from the carton and verify that all parts are present according to the illustration sheet. All parts must be used as indicated. Do not replace any parts, leave any parts out, or use any parts which are worn out or broken. **Failure to follow the instructions could cause a hazardous situation, voids the warranty and violates the U.L. listing of the fixture.**
2. To prevent the electric shock, turn off the main power at the circuit breaker before installing the fixture. **NEVER attempt to install, clean or replace bulbs without shutting off the electricity to the fixture.**
3. **Never use light bulbs with wattage ratings that exceed the fixtures maximum rating.** Always make sure the electric current is turned off before changing the bulbs.
4. If you experience difficulties installing the lighting fixture or it fails to work as expected, please contact a local qualified licensed electrical contractor.
5. Please contact your local Capital Lighting Fixture reseller with any assembly or installation questions. Your local reseller can also provide you with replacement parts for your new fixture.



Components

1. Mounting Bar w/Green Screw
2. Mounting Screws
3. Hex Nuts (8/32)
4. Outlet Box Mounting Screws
5. Canopy Assembly
6. Ball Knobs
7. Fixture
8. Coupling
9. Hex Nut
10. Nipple
11. Tube
12. Tube Cover
13. Flat Washer
14. Rubber Washer
15. Glass Shade
16. Hex Nut
17. Final Cap
18. Final

Assembly Instructions for the 218921 fixture

1. Screw Nipple (10) with Hex Nut (9) onto Coupling (8) of Fixture (7) bottom tightly, then raise Tube (11) and Tuber Cover (12) over end of Nipple (10). After that, put one set of Flat Washer (13) and Rubber Washer (14) inside Glass Shade (15), make sure the holes are line, then raise Glass Shade (15) with another set of Rubber Washer (14) and Flat Washer (13) over end of Nipple (10). Finally, secure Glass Shade (15) to Fixture (7) bottom with Hex Nut (16) tightly.
2. Raise Finial Cap (17) over end of Nipple (10), then secure it with Finial (18).
3. Find appropriate threaded holes on Mounting Bar (1), and assemble Mounting Screws (2) into threaded holes with Hex Nuts (3).
4. Attach Mounting Bar (1) to Outlet Box with Outlet Box Mounting Screws (4).
5. Raise whole Fixture (7) toward outlet box, then connect fixture ground wire to the outlet box ground wire with wire connector supplied; connect the common wire of the lamp cord to the power supply white wire with wire connector supplied; connect supply wire of the lamp cord to the power supply black wire with wire connector supplied. *Note: This fixture is wired using 2 conductor Lamp cord. The insulation between the two conductors on the lamp cord can be split down the center for better access to the two conductors. The common wire on the lamp cord is identified as the conductor with the printed marking and or the ribs embossed in the rubber wire insulation.*
6. Push Fixture (7) to ceiling, carefully passing Mounting Screws (2) through holes in Canopy (5) of Fixture (7), then verify all wires are securely inside Canopy (5) of Fixture (7). Finally, secure Fixture (7) to ceiling with Ball Knobs (6).